



SAILING INSTRUCTIONS

SNIPE CLASS INTERNATIONAL RACING ASSOCIATION

SNIPE WORLD OPEN CHAMPIONSHIP 2019

Comodore Hub E. Isaack's Trophy

October 8 to 12 2019

Escola de Vela Lars Grael

Ilhabela – SP, Brazil

Notation [NP] - The notation [NP] in a rule in the SI means that a breach of this rule shall not be grounds for a protest by a boat.

Notation [SP] - The notation [SP] in a rule in the SI means that for a breach of this rule a standard penalty will be applied.

Notation [DP] - The notation [DP] in a rule in the SI means that for a breach of this rule a discretionary penalty will be applied.

1 RULES

- 1.1 The regatta will be governed by the rules as defined in *The Racing Rules of Sailing*.
- 1.2 No National prescription will apply.
- 1.3 The Rules of Conduct for Conducting National and International Championship and the trophy restrictions of "Commodore Hub E. Isaacks Trophy", "O'Leary Trophy", "Earl Elms Perpetual Trophy" and "Bibi Juetz Trophy" will apply. Any conflict arising between the Deed of Gift and the SCIRA Rules of Conduct shall be solved by the application of the Rules of Conduct.
- 1.4 In case of conflict between the Notice of Race and the Sailing Instructions the Sailing Instructions shall prevail.
- 1.5 If there is a conflict between languages the English text will take precedence.

2 NOTICES TO COMPETITORS

Notices to competitors will be posted on the official notice board(s) located near the Race Office.

3 CHANGES TO SAILING INSTRUCTIONS

- 3.1 Any change to the sailing instructions will be posted before 10 a.m. on the day it will take effect, except that any change to the schedule of races will be posted by 8 p.m. on the day before it will take effect.
- 3.2 Any change or amendment to the Sailing Instructions shall be approved with the SCIRA Representative.

4 SIGNALS MADE ASHORE

- 4.1 Signals made ashore will be displayed on the mast near the beach.
- 4.2 When the "AP" race signal is displayed ashore, '1 minute' is replaced with 'not less than 60 minutes' in the race signal "AP".

4.3 [NP] [DP]. When the “AP over H” race signal is displayed ashore, the boats shall not leave the harbour. The warning signal will be exposed no less than 60 minutes after the signal is lowered with one sound

5 SCHEDULE OF RACES

5.1 Dates of racing:

<u>Date</u>	<u>Time of</u> <u>Warning Signal</u>	
Tuesday, 8 th October	12:00	Racing
Wednesday, 9 th October	12:00	Racing
Thursday, 10 th October	12:00	Racing
Friday, 11 th October	12:00	Racing
Saturday, 12 th October	12:00	Racing

5.2 The regatta shall consist of 9 races.

5.3 No more than two (2) races shall be sailed per day, however three (3) if behind schedule.

5.4 In case of a prolonged postponement, to alert boats that a race or sequence of races will begin soon, an orange flag will be displayed with one sound for at least 5 (five) minutes before a warning signal is made. Failures to observe this instruction are not grounds for redress.

5.5 On the last day of racing no warning signal will be made after 4 p.m.

5.6 There will be a competitors meeting on Monday 7th October at 17 p.m. near the Race Office.

6 CLASS FLAGS

The official Class Flag shall be the Snipe Class flag, a red Snipe on a white background.

7 RACING AREAS

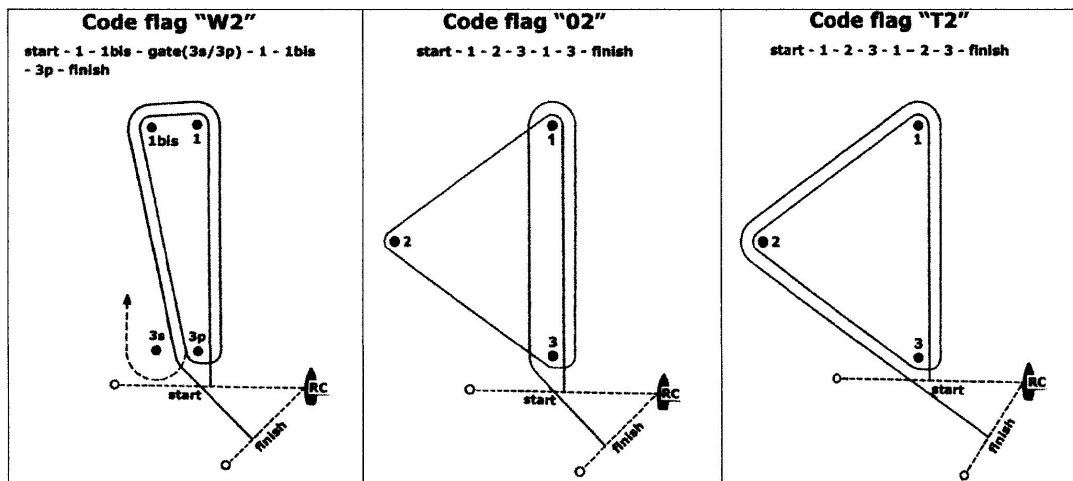
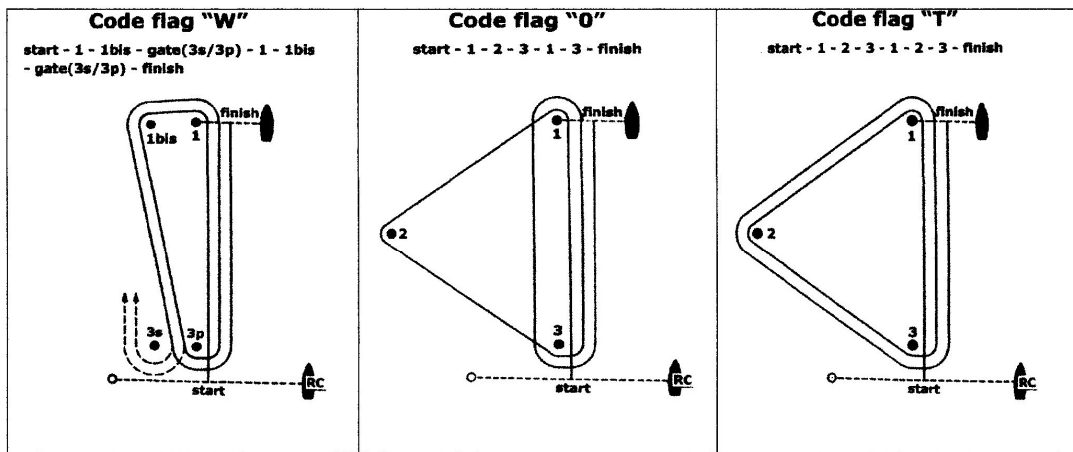
The Racing Area location is in the Canal of São Sebastião, North of the Petrobras Oil Pier and lighthouse of Ponta das Canas. The Racing Area location chart will be posted on the Official Notice Board

8 WEATHER LIMITATION (Course and Starting)

The wind speed ranges shall be no less than 5 knots and not exceed 23 knots or in accordance with the applicable Deed of Gift.

9 THE COURSES

9.1 The diagrams below show the courses, including the approximate angles between legs, the order in which marks are to be passed. All course marks (except gates) shall be left to port.



- 9.2 The course signal (code flag "W", "T", "O", "W2", "T2" or "O2") shall be hoisted with one sound at last one minute before the warning signal. It will remain displayed for not less than five minutes after the start.
- 9.3 No later than the warning signal, the Race Committee signal boat will display the approximate compass bearing of the first leg.
- 9.4 If during a race the wind and/or wave action changes to the point where the selected course would be inadvisable (See Snipe Class Rules of Conduct), the Race Committee shall change the course at any mark. A change of the type of course during the race shall be signaled to all boats displaying the new appropriate flag(s) accompanied by repetitive sounds before they begin the next leg.
- 9.5 The number of legs in a race may be reduced (RRS code flag S) but at least 2 (two) windward legs of the race shall be completed. This changes the RRS 32.2.
- 9.6 A sustained wind variation of 20 degrees or more from the posted bearing during the first leg of a race shall result in the race to be abandoned and re-sailed, or abandoned. This changes the RRS 32.1.
- 9.7 A sustained wind variation of 40 degrees or more from the posted bearing during the first lap shall result in the race being abandoned and re-sailed, or abandoned. For the purpose of this rule a lap means the rounding of mark 3 (or passing the gate 3s-3p) for the first time. This changes the RRS 32.1.

10 MARKS

- 10.1 Marks 1, 1bis, 2, 3, 3s and 3p will be yellow cylindrical buoys.
- 10.2 New marks, as provided in instruction 12.1, will be orange cylindrical buoys.
- 10.3 The port-end starting mark will be a boat with an orange flag displayed;
- 10.4 The finishing mark will be:
- mark 1 for "W", "O", and "T" courses;
- a red cylindrical buoy for "W2", "O2", and "T2" courses
- 10.5 A Race Committee vessel signalling a change of a leg of the course is a mark as provided in SI 12.2.
- 10.6 If one of the marks "gate 3s-3p" is not placed, or is not replaced as per RRS 34, the remaining mark shall be left to port. This changes the RRS 34.

11 THE START

- 11.1 RRS 30.4 ('Black Flag Rule') shall not be used.
- 11.2 The starting line will be between a staff displaying an orange flag on the Race Committee vessel at the starboard end and a staff displaying an orange flag on the starting mark as provided in instruction 10.3.
- 11.3 A boat starting later than 4 (four) minutes after her starting signal will be scored Did Not Start without a hearing. This changes Appendices A4 and A5.
- 11.4 The Race Committee, after the finish of a race and before the warning signal of a subsequent one, will do its best to post on the Race Committee vessel a list of OCS, or ZFP, or UFD boats. The failure of posting or an incomplete or wrong list will not be grounds for redress. This changes the RRS 62.1(a).

12 CHANGE OF THE NEXT LEG OF THE COURSE

- 12.1 To change the next leg of the course, the Race Committee will lay a new mark (or move the finishing line) and remove the original mark as soon as practicable. When in a subsequent change a new mark is replaced, it will be replaced by an original mark.
- 12.2 Except at a gate, boats shall pass between the race committee boat signalling the change of the next leg and the nearby mark, leaving the mark to port and the Race Committee vessel starboard. This changes the RRS 28.
- 12.3 After the completion of first windward leg of the race the remaining legs may be increased or decreased by not more than 30% of the original length. This changes the RRS 33). [*The SCIRA Representative shall be consulted on any change of course which affects its length.*]
- 12.4 If Mark 1 will be changed in courses "W" or "W2", Mark 1bis (offset) will no longer be a course mark.

13 THE FINISH

- 13.1 The finish line will be between a staff displaying an orange flag on a Race Committee vessel and the course side of the finishing mark *OR* a red cylindrical buoy, as provided in 10.4.
- 13.2 The A flag on the Race Committee boat at the finish means that there will be no more races for the day. This changes RRS Race Signals.

14 PENALTY SYSTEM

Appendix P will apply.

15 TIME LIMITS AND TARGET TIMES

- 15.1 The races will be managed to last 60-75 minutes for the first boat to finish. A different time (shorter or longer) used to complete the race will not be ground for requesting redress.
- 15.2 The time limit for the first boat to complete the first lap is 40 minutes from the start. If the first boat fails to complete the first lap within 40 minutes the Race Committee shall abandon the race. For the purpose of this rule a lap means the rounding of Mark 3 (or passing the Gate 3s/3p) for the first time.
- 15.3 The time limit for the first boat to finish the race shall be 1 hour, 30 minutes. Any boat finishing more than 30 minutes after the first boat finishes or failing to finish within 2 hours from the start, whichever is shorter shall be scored Did Not Finish (DNF). This changes RRS 35, A4 and A5.

16 PROTESTS AND REQUESTS FOR REDRESS

- 16.1 Protest forms are available at the protest room, located at the venue. Protests and requests for redress or reopening shall be delivered there within the appropriate time limit.
- 16.2 The protest time limit is 90 minutes after the last boat has finished the last race of the day or the Race Committee signals no more racing today, whichever is later.
- 16.3 Notices will be posted no later than 30 minutes after the protest time limit to inform competitors of hearings in which they are parties or named as witnesses. Hearings will be held in the protest room, located at the venue, beginning at the time posted.
- 16.4 Notices of protests by the Race Committee, Technical Committee or Protest Committee will be posted to inform boats under RRS 61.1(b).
- 16.5 A list of boats that have been penalized for breaking RRS 42 will be posted on the Official Notice Board.
- 16.6 A list of boats that have been penalized for breaking RRS 29.1(OCS) or 30.1(OCS) or 30.2(ZFP) and 30.3(UFD) will be posted on the Official Notice Board.
- 16.7 Breaches of rules in the SI marked with [NP] and NoR 3.4 (bow numbers) will not be grounds for a protest by a boat. This changes the RRS 60.1(a).
- 16.8 The penalty for breaking rules in the SI marked with [SP] and NoR 3.4 (bow numbers) may be applied at the discretion of the Race Committee, without a hearing, and shall be the 5% scoring penalty for nearest race

completed by the infringing boat but not worse than the number of points corresponding to DSQ. This changes the RRS 63.1 and the App.A5.

- 16.9 The penalty for breaking rules in the SI marked with [DP] may be applied at the discretion of the Protest Committee.
- 16.10 Penalties for breaking Class Rules may be less than disqualification.
- 16.11 A list of boats that have been penalized as per SI 16.8 and 16.9 will be posted on the Official Notice Board.
- 16.12 On the last scheduled day of racing a request for redress based on a protest committee decision shall be delivered no later than 30 minutes after the decision was posted. This changes the RRS 62.2.
- 16.13 An International Jury is constituted and shall have authority per RRS Appendix N. Their decision shall be final as provided in RRS 70.5. Per Appendix N2.2, SCIRA reserves for itself the right and responsibility to decide issues of eligibility, measurement and equipment. SCIRA may refer any issue to the International Jury for advice.
- 16.14 The use of team racing tactics shall not be tolerated.
- 16.15 For the purpose of RRS 64.3(b) the "authority responsible" is the Measurer of the event.
- 16.16 The Jury will abandon the race if, during a redress hearing, they conclude that the Race Committee did not follow Sailing Instructions 8, 9.5, 9.6 and 9.7. This changes the RRS 64.2.

17 SCORING

- 17.1 Three races are required to be completed to constitute a series.
- 17.2
 - (a) When fewer than 6 races have been completed, a boat's series score will be the total of her race scores.
 - (b) When from 6 to 8 races have been completed, a boat's series score will be the total of her race scores excluding her worst score.
 - (c) When 9 races have been completed, a boat's series score will be the total of her race scores excluding her two worst scores.
- 17.3 A boat intending to retire and be scored RET shall report its intent in writing to the Race Committee or the Jury within the protest time limit.

18 [NP][SP] SAFETY REGULATIONS

- 18.1 Before the warning signal of the first race of the day each boat is required to sail past the stern of the main Race Committee boat (Start boat) on starboard tack and verbally check in. As soon as the RC boat is anchored, and whilst V (Victor) flag is displayed, check-in is required, prior to the first warning signal. When the Race Committee verbally acknowledges a boat's bow number, the check-in has been officially noted.
- 18.2 A boat that retires from a race (DNF) shall notify the Race Committee as soon as possible.

19 REPLACEMENT OF CREW OR EQUIPMENT

- 19.1 The same crew shall race in all races, except for reasons satisfactory to the Race Committee. Requests for a change of crew shall be submitted in writing to the Chairman. Once a crew has been excused, he/she may not return for the balance of the series.
- 19.2 The same skipper shall sail all races and can be replaced after the first race only, and then only if he/she is obviously incapacitated. If a skipper is replaced the first race shall be the race dropped, or scored DNC.
- 19.3 [NP] Substitution of damaged or lost equipment will not be allowed unless authorized by the Race Committee. Requests for substitution shall be made to the Race Committee at the first reasonable opportunity.

20 [NP] EQUIPMENT AND MEASUREMENT CHECKS

A boat or equipment may be inspected at any time for compliance with the Class Rules and Sailing Instructions. On the water, a boat can be instructed by a member of the Race Committee, or the Technical Committee, or the equipment inspector or measurer, to proceed immediately to a designated area for inspection.

21 [NP][SP] EVENT ADVERTISING

- 21.1 Boats shall display when supplied by the organizing authority:
 - a) Stickers with sponsors' logo and bow numbers on each side of the boat next to the bow; supplied upon confirmation of Measurement.
 - b) Stickers with country flags on the back part of the deck; supplied after Measurement.
 - c) Colored Dots for event leaders (1st, 2nd & 3rd) on the mainsail, at the level of the spreaders, close to the mast.

22 RIGHTS TO USE NAME AND LIKENESS

By participating in this event, competitors automatically grant to the SCIRA, organizing authority and the event sponsors the right, in perpetuity, to make, use, and show, at their discretion, any photography, audio and video recording, and other reproductions of them made at the venue or on the water from the time of their arrival at the venue, until their final departure, without compensation.

23 OFFICIAL BOATS

Official boats will be marked as follows:

Race Committee - Red flag with CR in white

Jury – White flag with J in black

Rescue – White flag with red cross

Press – Green flag with Media in white

24 [NP] [DP] SUPPORT BOATS

24.1 At the preparatory signal, coaches must be positioned at least 50 meters below the starting line. After the starting signal coaches may follow the fleet, but only on the port side of the course and must stay 50 meters from any racing boat.

24.2 Coaches may not communicate with competitors after the warning signal for any race until after the competitors have finished of the race.

24.3 Coaches shall register at the Regatta Office and all support boats shall be identified with a sticker which will be assigned at registration.

25 RADIO COMMUNICATIONS

A boat shall neither make or receive radio transmissions while racing nor receive radio communications not available to all boats, except in an emergency or when using equipment provided by the race committee. This restriction also applies to mobile telephones.

26 [NP] [DP] TRASH DISPOSAL

Trash may be placed aboard support and Committee Vessels.

27 PRIZES

27.1 Prizes shall be awarded as provided by the *NOR*.

27.2 BEST OF THE DAY PRIZE

Prizes will be awarded for the boat with better results on each day, taking in account all races of that day without any discard.

Carlos Eduardo Sodré – Cuca
Race Committee Chairman

Pietro Fantoni
SCIRA Representative