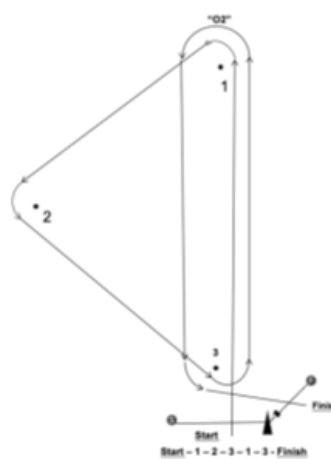
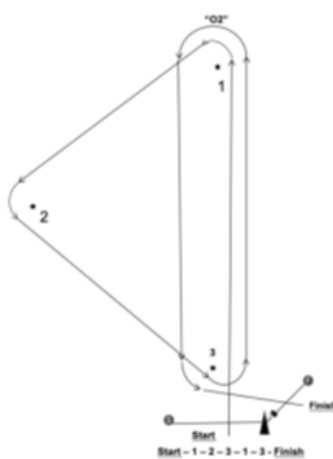
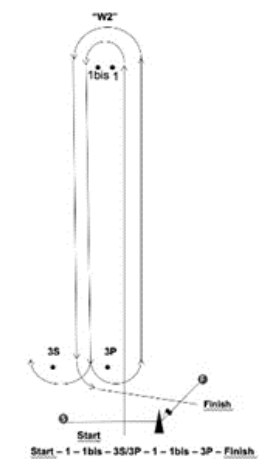


NOTICES TO COMPETITORS

Nr.	Classes	Date
5	SNIPE	21/08/2022
From		Time
RACE COMMITTEE		10h30
Title: Sailing Instructions Amendment #2		

The point SI 9.1 is changed as follow: The Courses W2, O2 and T2 are changed as follow:



Sebastião Osório de Castro
Organizing Authority

Luis Soubie
SCIRA Commodore